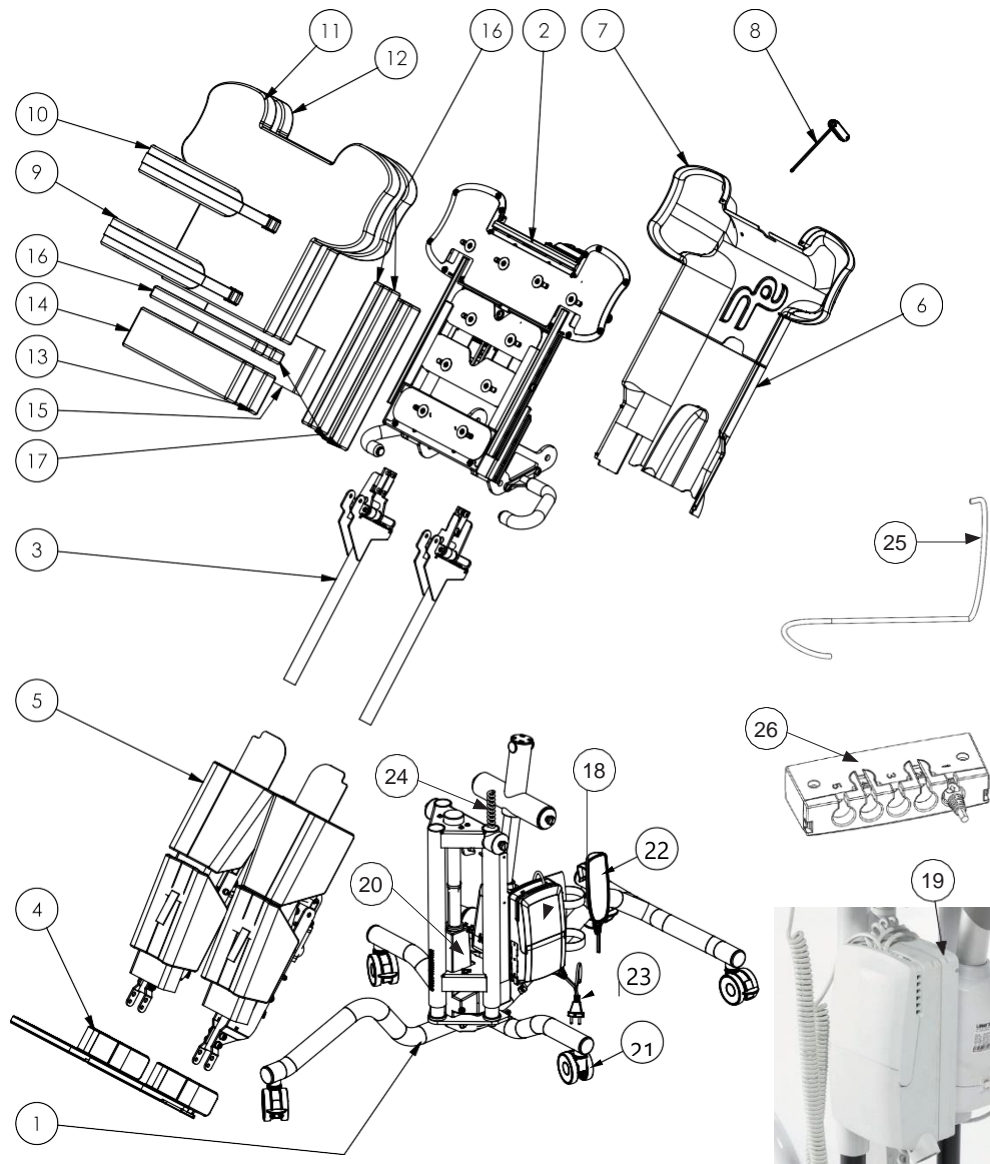
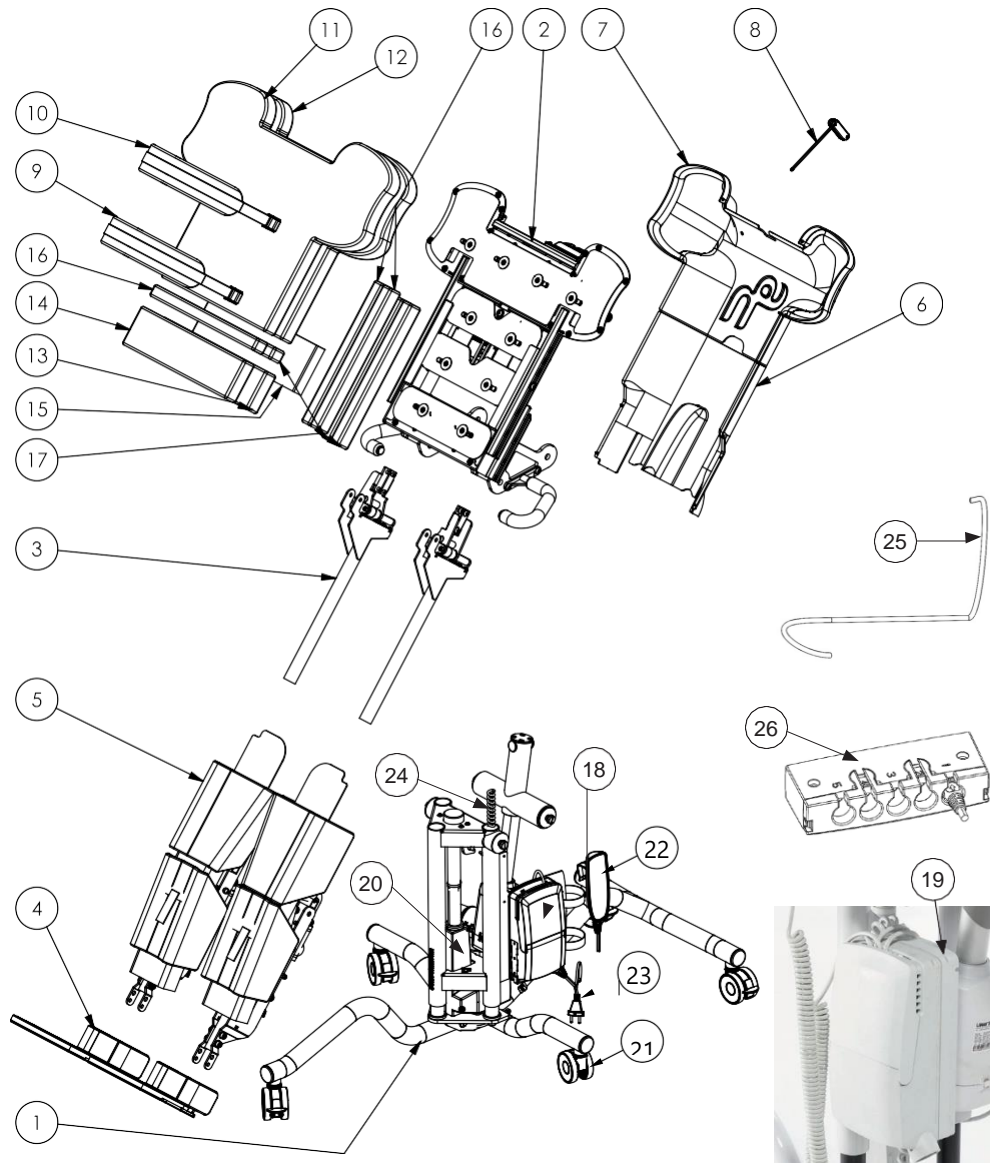


# Till Contour EL.



till. size 3		
Pos.	Item no.	Description
1		Underframe size 3
2		Lying surface size 3
3		Hip with abduction size 3-4
4	6108-1056	Feet flex size 3
5,6,7,11	6122-1019	Cover complete size 3
8	6102-1031	Till Tool
9	6112-1022	Pelvic strap size 3+4
10	6112-1025	Chest strap size 3+4
11	6122-1019	Cover complete lying surface size 3
5,11,14	6121-1009	Upholstery complete size 3
18	6105-1006	Control unit Till size 3
19	6123-1001	Rechargeable battery as spare part
20		LA31 lift motor
21	6103-1051	Castors 75 mm, lockable, piece
22	6105-1009	Remote control for size 2-4
23	6105-1011	Cable 3.200 mm for size 2-4
24	6105-1010	Linak cable for size 2-4
25	6105-1012	Connection cable 500 mm
26	6105-1008	Modular Junction Box for size 1-4

# Till Contour EL.



till. size 4		
Pos.	Item no.	Description
1		Underframe size 4
2		Lying surface size 4
3		Hip with abduction size 3-4
4	108-1057	Feet flex size 4
5,6,7,11	6122-1020	Cover complete size 4
8	6102-1031	Till Tool
9	6112-1022	Pelvic strap size 3+4
10	6112-1025	Chest strap size 3+4
5,11,14	6121-1010	Upholstery complete size 4
18	4290279	Control unit Till size 4
19	6123-1001	Rechargeable battery as spare part
20		LA31 lift motor
21	6103-1051	Castors 75 mm, lockable, piece
22	6105-1009	Remote control for size 2-4
23	6105-1011	Cable 3.200 mm for size 2-4
24	6105-1010	Linak cable for size 2-4
25	6105-1012	Connection cable 500 mm
26	6105-1008	Modular Junction Box for size 1-4