

See exploded view
base frame

P:\SW-Tek\Reflex 5600\5600

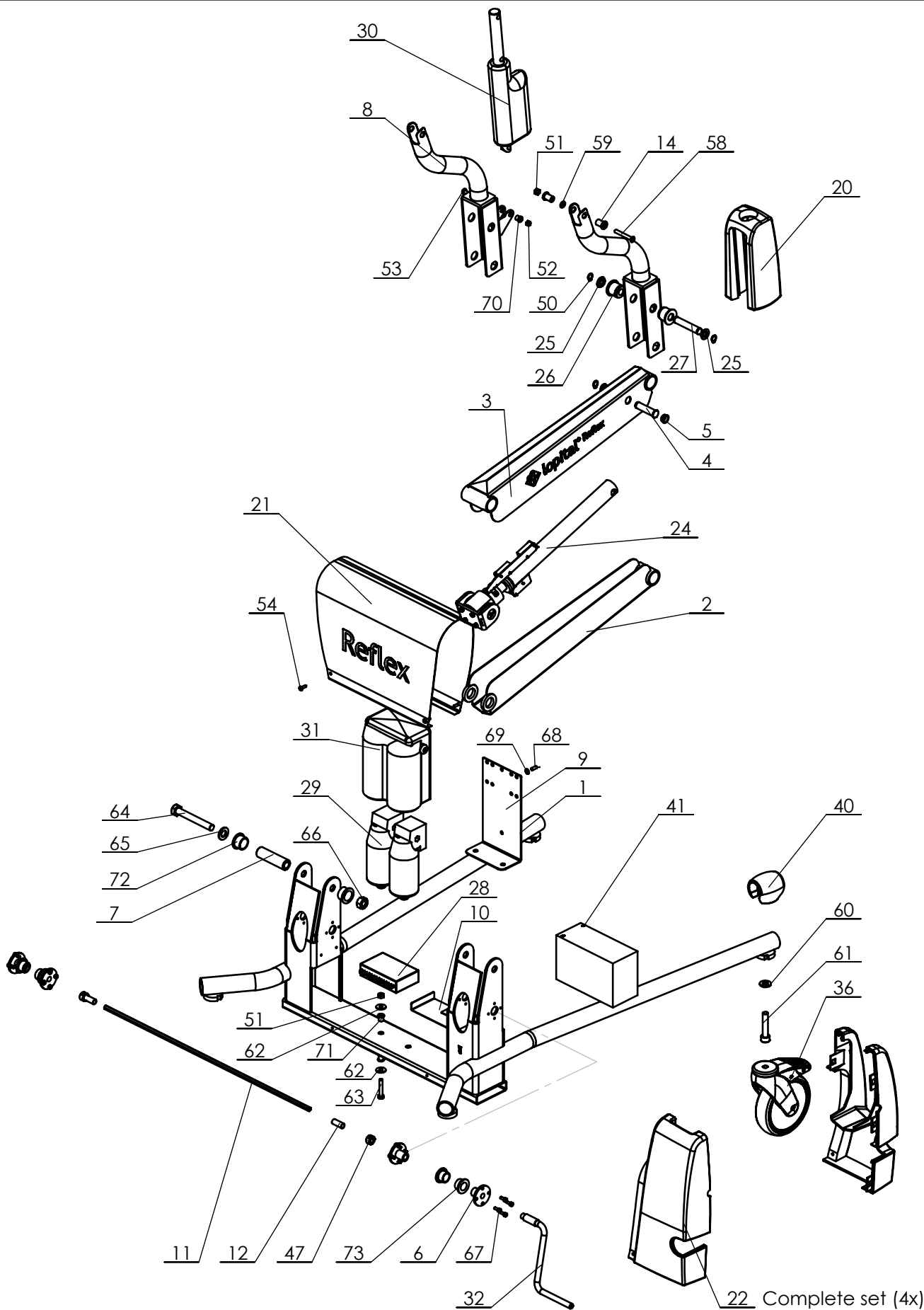
Signed	PS	Date	20-07-2005
Revised	13 /KA	Date	05-12-2014
Revised	14 /KA	Date	01-03-2016

Overview parts Reflex

Copyright reserved by law
Unit of measurement: mm

Lopital Nederland bv

Type nr: 51005600



P:\SW-Tek\Reflex 5600\5600

Signed	PS	Date	20-07-2005
Revised	13 /KA	Date	05-12-2014
Revised	14 /KA	Date	01-03-2016

Overview parts Reflex base frame

Copyright reserved by law	Unit of measurement: mm	Lopital Nederland bv	Type nr: 51005600
---------------------------	-------------------------	----------------------	-------------------

Reflex 51005600

Part nr.	QTY.	Art.nr.	Part
1	1	70560021	Frame
2	2	70560033	Main lever
3	2	70560034	Control lever
4	2	70560025	Actuator pin
5	4	70560027	Bushing brass bearing
6	4	70560026	Flanged bus
7	2	70560032	Threaded bush
8	1	70560036	Seat support L+R
9	1	70560037	Mounting plate motor
10	1	70560038	Bracket controller
11	1	70560030	Motor axis
12	2	70560031	Spacer
13	1	70560022	Seat frame
14	4	70560028	Tilt bearing brass
15	1	70560039	Slide block
16	2	70560049	Handgrip
17	1	70560046	Seat
18	1	70560047	Backrest
19	1	70560045	Lid for seat
20	2	70560048	Hinge cover
21	1	70560024	Motor cover
22	1	70560054	Cover L+R
23	1	68405630	Head/neck support complete
24	1	70560010	Actuator (set)
25	8	70560040	Bush bearing rear
26	8	70560041	Bush
27	4	70560042	Hinge
28	1	70560002	Controlbox under
29	2	70560003	Motor
30	1	70560006	Tilt actuator
31	1	70560065	Cover for motor
32	1	70560007	Handle emergency
33	1	68405627	Footrest complete
34	1	69501104	Bed pan + lid
35	1	68405660	Front locking armrest
36	4	70519928	Castor Ø 125 mm braked
37	1	80005602	Back cover complete
38	1	70550012	Charger incl. plug
39	1	69501050	Guide for bedpan set
40	4	70560066	Protective cover Wheel
41	2	70560004	Battery
42	1	70560019	Zip lock bag

Signed	PS	Date	20-07-2005
Revised	13 /KA	Date	05-12-2014
Revised	14 /KA	Date	01-03-2016

Overview parts Reflex

Copyright reserved
by law

Unit of measure-
ment: mm

Lopital Nederland bv

Type nr: 51005600

Reflex 51005600

Part nr.	QTY.	Art.nr.	Part
43	1	70560044	Cable tray
44	1	70560014	Cable assembly complete
45	1	70560062	Sticker charger
46	3		Raised countersunk head screw
47	2		Adjusting ring
48	1		Cylinder head screw M8x12
49	4		Snap nut
50	10		Retaining ring
51	4		Lock nut M6
52	2		Locknut
53	2		Oval head screw M5x35
54	4		Oval head screw M4x12
55	4		Chipboard screw 3,5x40
56	7		Chipboard screw 3,5x19
57	4		Chipboard screw 3,5x16
58	2		Raised countersunk screw M6x45
59	2		Washer M6
60	4		Washer M10
61	4		Cylinder head screw M10x50
62	4		Washer
63	2		Hex bolt M6x35
64	2		Hex bolt M12x90
65	2		Washer M12
66	2		Hex nut M12
67	16		Cylinder head screw M4x10
68	8		Hex bolt M5x12
69	8		Spring washer M5
70	4		Slide bearing
71	4		Slide bearing
72	4		Slide bearing
73	4		Slide bearing
74	2		Tube cap
75	1		Rotary knob
76	4		Flat washer M5



P:\SW-Tek\Reflex 5600\5600\

Signed	PS	Date	20-07-2005
Revised	13 /KA	Date	05-12-2014
Revised	14 /KA	Date	01-03-2016

Overview parts Reflex

Copyright reserved
by law

Unit of measure-
ment: mm

Lopital Nederland bv

Type nr: 51005600